

Guangdong Dongyi Optoelectronics Technology Co., Ltd.

东亿光电科技有限公司专注于红外接收头、红外发射管、发光二极管等光电产品的研发与生产，根据客户实际应用需求提供有效的应用解决方案，并提供多种研发设计建议，以及各类定制化产品，充分满足客户的不同需求。产品广泛应用于PCBA产品、消费电子、智能家居、玩具礼品、家电、汽车电子、灯饰照明、医疗美容等众多生产领域。

Dongyi Optoelectronics Technology Co., Ltd. focuses on the research and development and production of infrared receiving heads, infrared transmitting tubes, light-emitting diodes and other optoelectronic products. Combining the actual application needs of customers, it can provide effective application solutions, and provide a variety of R&D design suggestions, as well as various customized products to fully meet the different needs of customers. The products are widely used in PCBA products, consumer electronics, smart homes, toys and gifts, home appliances, automotive electronics, lighting, medical beauty and many other production fields.

东亿红外接收头特点：

Features of Dongyi infrared receiver：

- 灵敏度高、精度高
- 接收距离远
- 接收视角宽
- 抗干扰能力强
- 功耗低
- 兼容性好
- 可靠性高、耐用性强

- High sensitivity and accuracy
- Long distance reception
- Wide viewing angle reception
- Strong anti-interference ability
- Low power consumption
- Good compatibility
- High reliability and durability

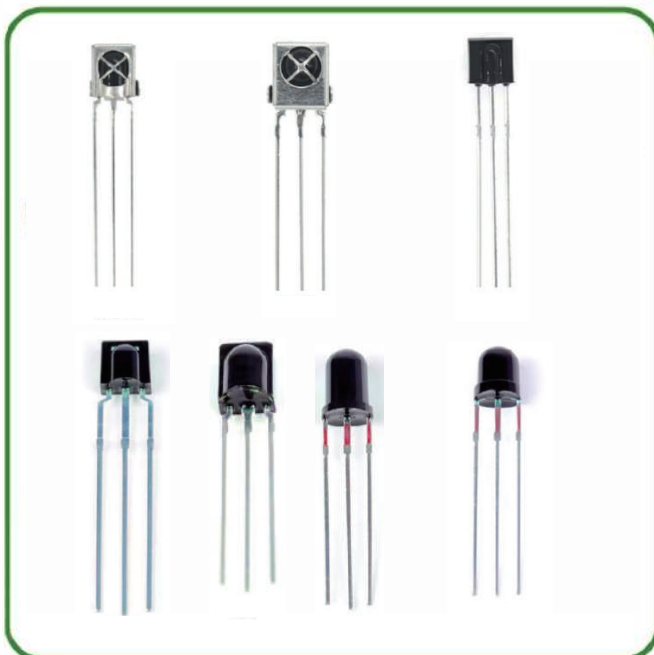


DOGYIR[®]

DONGYI

Infrared receiver

PRODUCT CATALOG



Guangdong Dongyi Optoelectronics Technology Co., Ltd.

PROFESSIONAL Infrared receiver FACTORY



RoHS
Certificate

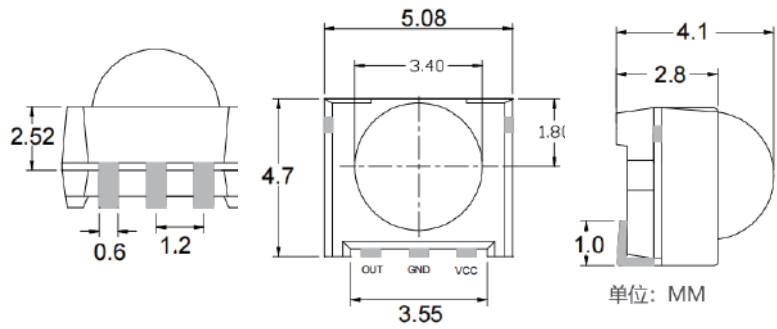


ISO9001

smd Infrared receiver (smd 红外接收头系列)



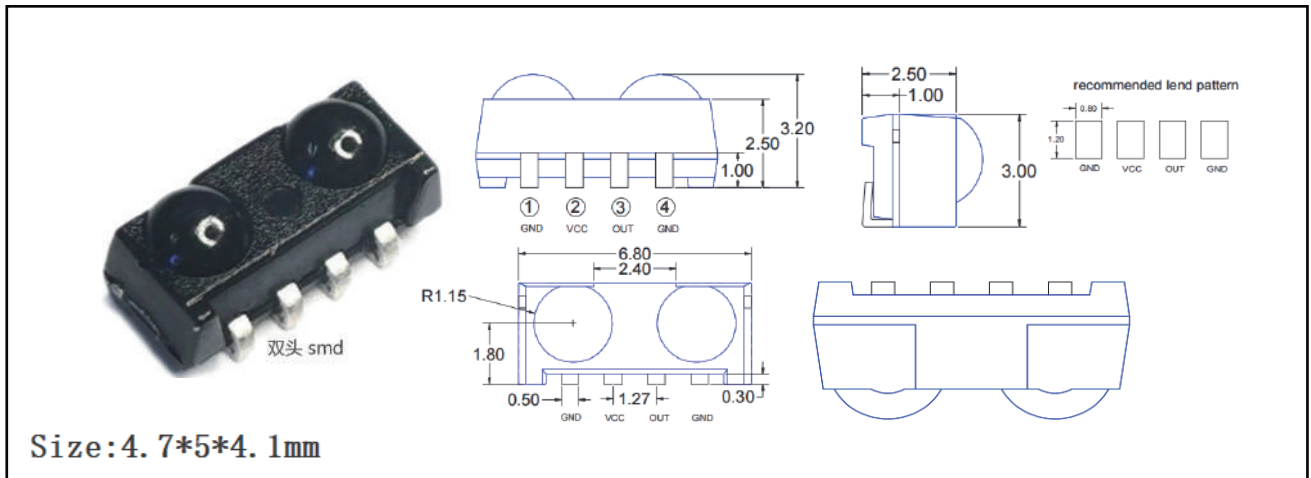
单头smd



Size: 6.8*3*3.2mm

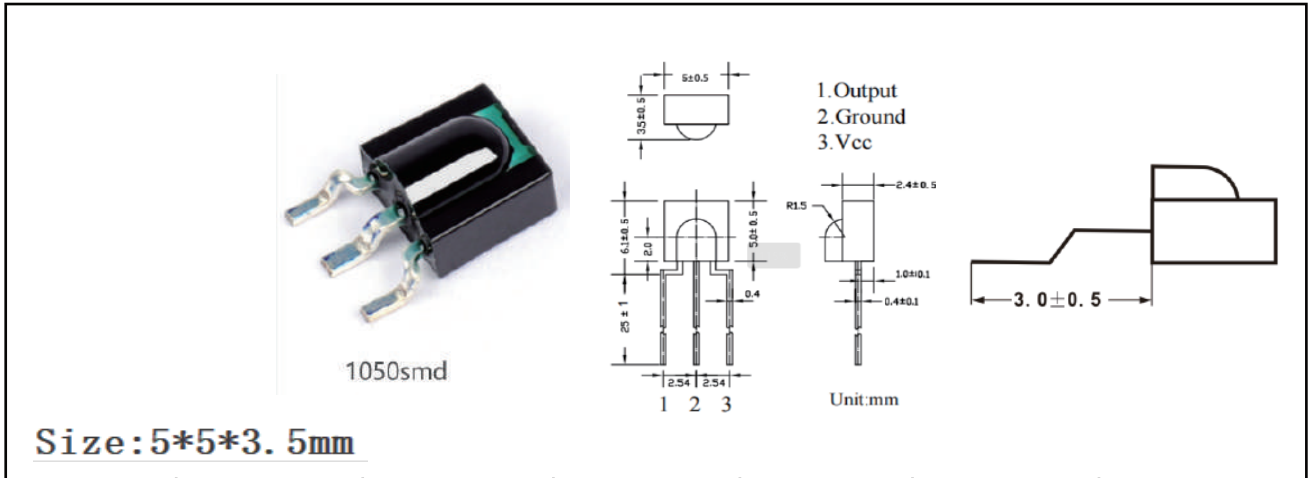
型号 (P/N)	工作电压 (Operating Voltage)	静态电流 (Quiescent Current)	接收距离 (Receiving distance)	工作温度 (Operating Temperature)	引脚间距 (Pin spacing)	产品特点 (Product Features)
DY-SMDWXXXXXX	2.5-6.0V	50-1200 μ A	8-30m	-40-+80 C	1.2mm	Anti-light interference, long distance
DY-SMDVXXXXXX	2.5-6.0V	50-1200 μ A	8-30m	-40-+80 C	1.2mm	Power consumption strong versatility
DY-SMDBXXXXXX	2.5-6.0V	50-1200 μ A	8-30m	-40-+80 C	1.2mm	Ultra-low power consumption, strong penetration
DY-SMDFXXXXXX	2.5-6.0V	50-1200 μ A	8-30m	-40-+80 C	1.2mm	Strong anti-interference and long distance
DY-SMDAXXXXXX	2.5-6.0V	50-1200 μ A	8-30m	-40-+80 C	1.2mm	Narrowband decoding, anti-WiFi interference
DY-SMDXXXXXX	2.5-6.0V	50-1200 μ A	8-30m	-40-+80 C	1.2mm	Continuous decoding, anti-5G interference
DY-SMDCXXXXXX	2.5-6.0V	50-1200 μ A	8-30m	-40-+80 C	1.2mm	Continuous decoding, strong compatibility

smd Infrared receiver (smd 红外接收头系列)



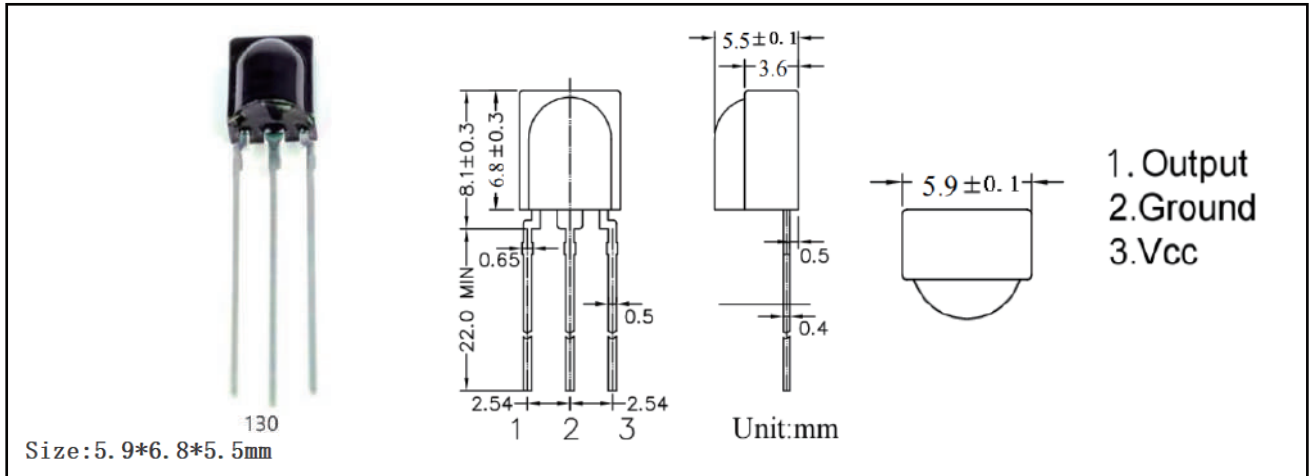
型号 (P/N)	工作电压 (Operating Voltage)	静态电流 (Quiescent Current)	接收距离 (Receiving distance)	工作温度 (Operating Temperature)	引脚间距 (Pin spacing)	产品特点 (Product Features)
DY-SMD2WXXXXXX	2.5-6.0V	50-1200 μ A	8-30m	-40-+80 C	1.27mm	Anti-light interference, long distance
DY-SMD2VXXXXXX	2.5-6.0V	50-1200 μ A	8-30m	-40-+80 C	1.27mm	Power consumption strong versatility
DY-SMD2BXXXXXX	2.5-6.0V	50-1200 μ A	8-30m	-40-+80 C	1.27mm	Ultra-low power consumption, strong penetration
DY-SMD2FXXXXXXX	2.5-6.0V	50-1200 μ A	8-30m	-40-+80 C	1.27mm	Strong anti-interference and long distance
DY-SMD2AXXXXXXX	2.5-6.0V	50-1200 μ A	8-30m	-40-+80 C	1.27mm	Narrowband decoding, anti-WiFi interference
DY-SMD2XXXXXX	2.5-6.0V	50-1200 μ A	8-30m	-40-+80 C	1.27mm	Continuous decoding, anti-5G interference
DY-SMD2CXXXXXX	2.5-6.0V	50-1200 μ A	8-30m	-40-+80 C	1.27mm	Continuous decoding, strong compatibility

1050smd Infrared receiver (1050smd 红外接收头系列)



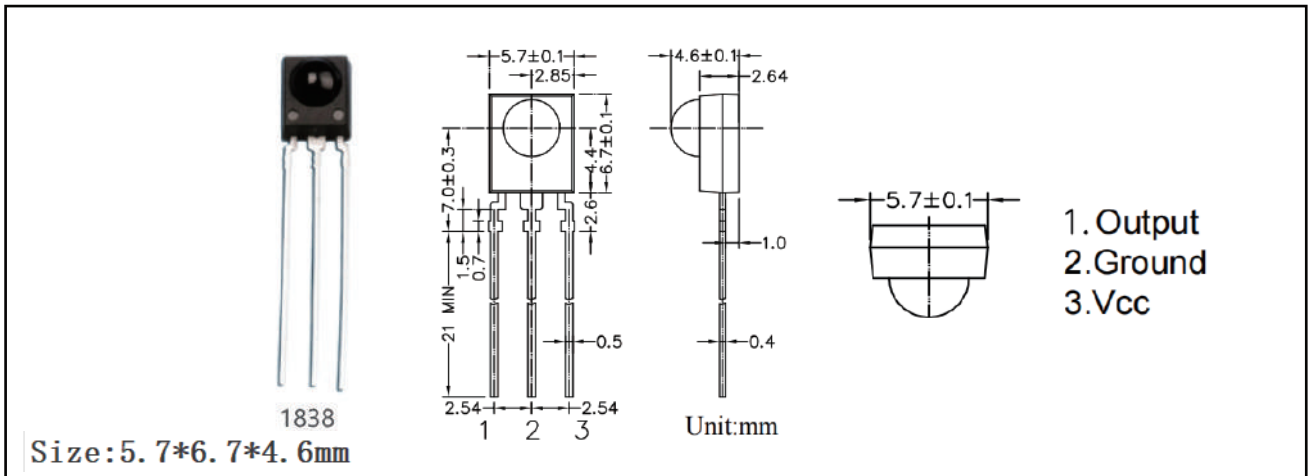
型号 (P/N)	工作电压 (Operating Voltage)	静态电流 (Quiescent Current)	接收距离 (Receiving distance)	引脚长度 (Pin length)	引脚间距 (Pin spacing)	产品特点 (Product Features)
DY-1050smdWXXXXXX	2.5-6.0V	50-1200 μ A	8-30m	3-3.5 mm	1.27/2.0/2.54mm	Anti-light interference, long distance
DY-1050smdVXXXXXX	2.5-6.0V	50-1200 μ A	8-30m	3-3.5 mm	1.27/2.0/2.54mm	Power consumption strong versatility
DY-1050smdBXXXXXX	2.5-6.0V	50-1200 μ A	8-30m	3-3.5 mm	1.27/2.0/2.54mm	Ultra-low power consumption, strong penetration
DY-1050smdFXXXXXX	2.5-6.0V	50-1200 μ A	8-30m	3-3.5 mm	1.27/2.0/2.54mm	Strong anti-interference and long distance
DY-1050smdAXXXXXX	2.5-6.0V	50-1200 μ A	8-30m	3-3.5 mm	1.27/2.0/2.54mm	Narrowband decoding, anti-WiFi interference
DY-1050smdXXXXXXX	2.5-6.0V	50-1200 μ A	8-30m	3-3.5 mm	1.27/2.0/2.54mm	Continuous decoding, anti-5G interference
DY-1050smdCXXXXXX	2.5-6.0V	50-1200 μ A	8-30m	3-3.5 mm	1.27/2.0/2.54mm	Continuous decoding, strong compatibility

130Infrared receiver (130红外接收头系列)



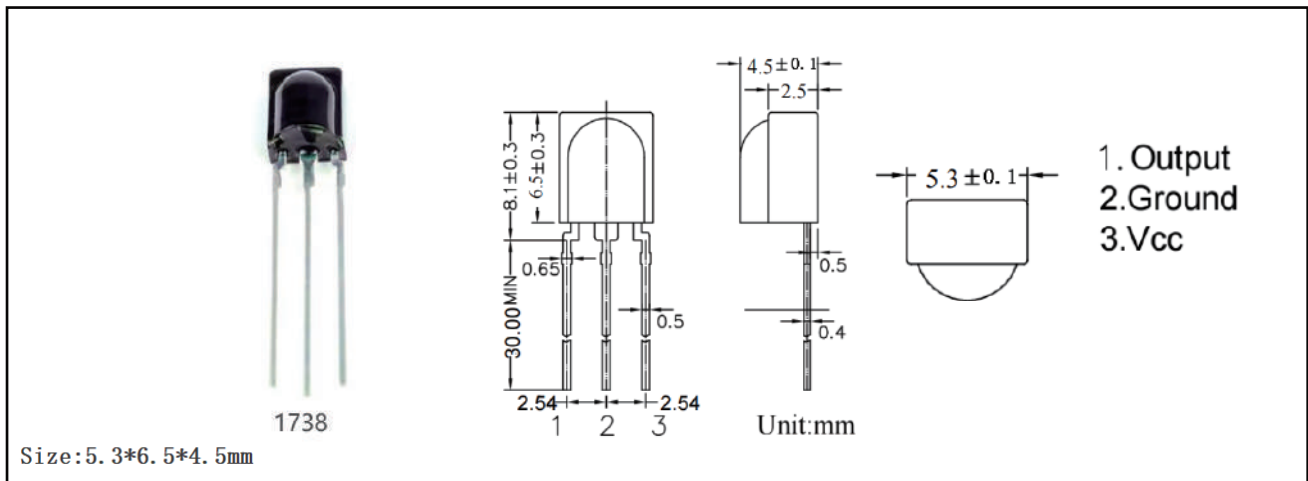
型号 (P/N)	工作电压 (Operating Voltage)	静态电流 (Quiescent Current)	接收距离 (Receiving distance)	引脚长度 (Pin length)	引脚间距 (Pin spacing)	产品特点 (Product Features)
DY-130WXXXXXX	2.5-6.0V	50-1200 μ A	8-30m	22-43 mm	1.27/2.0/2.54mm	Anti-light interference, long distance
DY-130VXXXXXX	2.5-6.0V	50-1200 μ A	8-30m	22-43 mm	1.27/2.0/2.54mm	Power consumption strong versatility
DY-130BXXXXXX	2.5-6.0V	50-1200 μ A	8-30m	22-43 mm	1.27/2.0/2.54mm	Ultra-low power consumption, strong penetration
DY-130FXXXXXX	2.5-6.0V	50-1200 μ A	8-30m	22-43 mm	1.27/2.0/2.54mm	Strong anti-interference and long distance
DY-130AXXXXXX	2.5-6.0V	50-1200 μ A	8-30m	22-43 mm	1.27/2.0/2.54mm	Narrowband decoding, anti-WiFi interference
DY-130XXXXXX	2.5-6.0V	50-1200 μ A	8-30m	22-43 mm	1.27/2.0/2.54mm	Continuous decoding, anti-5G interference
DY-130CXXXXXX	2.5-6.0V	50-1200 μ A	8-30m	22-43 mm	1.27/2.0/2.54mm	Continuous decoding, strong compatibility

1838Infrared receiver (1838红外接收头系列)



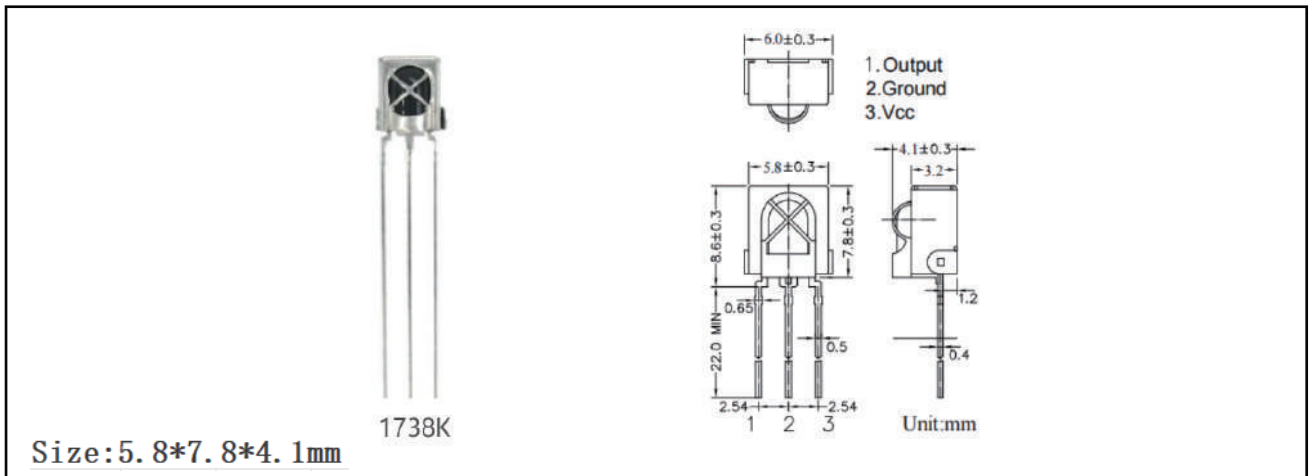
型号 (P/N)	工作电压 (Operating Voltage)	静态电流 (Quiescent Current)	接收距离 (Receiving distance)	引脚长度 (Pin length)	引脚间距 (Pin spacing)	产品特点 (Product Features)
DY-1838WXXXXXX	2.5-6.0V	50-1200 μ A	8-30m	22-43 mm	1.27/2.0/2.54mm	Anti-light interference, long distance
DY-1838VXXXXXX	2.5-6.0V	50-1200 μ A	8-30m	22-43 mm	1.27/2.0/2.54mm	Power consumption strong versatility
DY-1838BXXXXXX	2.5-6.0V	50-1200 μ A	8-30m	22-43 mm	1.27/2.0/2.54mm	Ultra-low power consumption, strong penetration
DY-1838FXXXXXX	2.5-6.0V	50-1200 μ A	8-30m	22-43 mm	1.27/2.0/2.54mm	Strong anti-interference and long distance
DY-1838AXXXXXX	2.5-6.0V	50-1200 μ A	8-30m	22-43 mm	1.27/2.0/2.54mm	Narrowband decoding, anti-WiFi interference
DY-1838XXXXXXX	2.5-6.0V	50-1200 μ A	8-30m	22-43 mm	1.27/2.0/2.54mm	Continuous decoding, anti-5G interference
DY-1838CXXXXXX	2.5-6.0V	50-1200 μ A	8-30m	22-43 mm	1.27/2.0/2.54mm	Continuous decoding, strong compatibility

1738 Infrared receiver (1738 红外接收头系列)



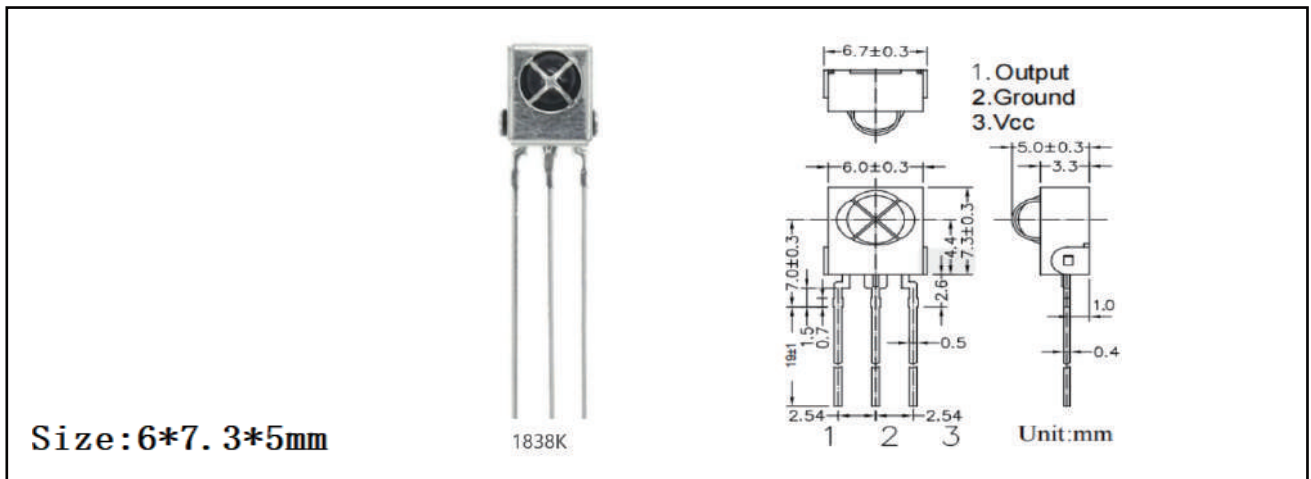
型号 (P/N)	工作电压 (Operating Voltage)	静态电流 (Quiescent Current)	接收距离 (Receiving distance)	引脚长度 (Pin length)	引脚间距 (Pin spacing)	产品特点 (Product Features)
DY-1738WXXXXXX	2.5-6.0V	50-1200 μ A	8-30m	22-43 mm	1.27/2.0/2.54mm	Anti-light interference, long distance
DY-1738VXXXXXX	2.5-6.0V	50-1200 μ A	8-30m	22-43 mm	1.27/2.0/2.54mm	Power consumption strong versatility
DY-1738BXXXXXX	2.5-6.0V	50-1200 μ A	8-30m	22-43 mm	1.27/2.0/2.54mm	Ultra-low power consumption, strong penetration
DY-1738FXXXXXX	2.5-6.0V	50-1200 μ A	8-30m	22-43 mm	1.27/2.0/2.54mm	Strong anti-interference and long distance
DY-1738AXXXXXX	2.5-6.0V	50-1200 μ A	8-30m	22-43 mm	1.27/2.0/2.54mm	Narrowband decoding, anti-WiFi interference
DY-1738XXXXXX	2.5-6.0V	50-1200 μ A	8-30m	22-43 mm	1.27/2.0/2.54mm	Continuous decoding, anti-5G interference
DY-1738CXXXXXX	2.5-6.0V	50-1200 μ A	8-30m	22-43 mm	1.27/2.0/2.54mm	Continuous decoding, strong compatibility

1738K Infrared receiver (1738K 红外接收头系列)



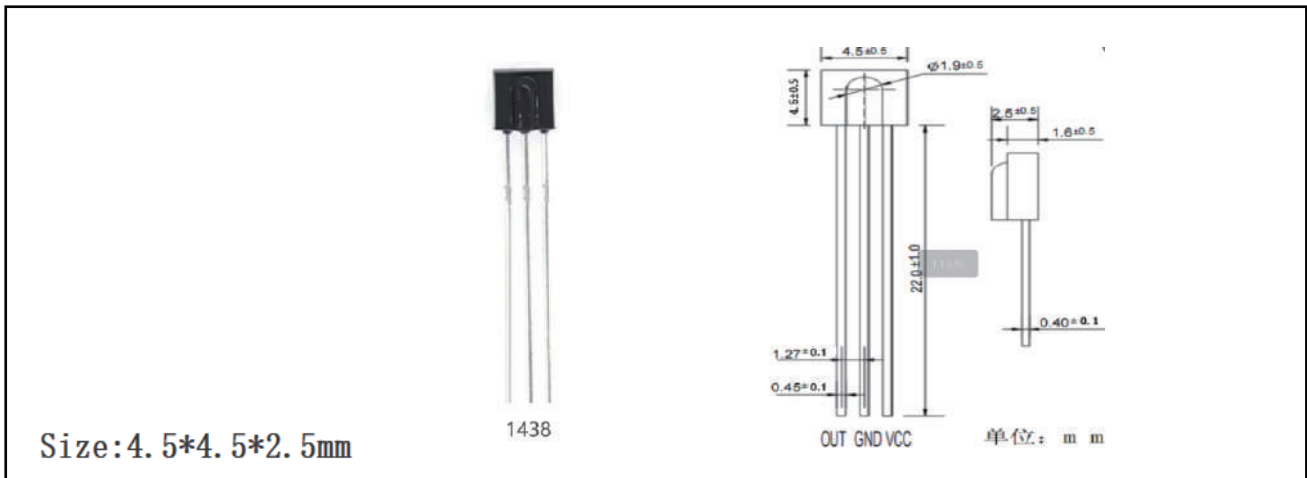
型号 (P/N)	工作电压 (Operating Voltage)	静态电流 (Quiescent Current)	接收距离 (Receiving distance)	引脚长度 (Pin length)	引脚间距 (Pin spacing)	产品特点 (Product Features)
DY-1738KWXXXXXX	2.5-6.0V	50-1200 μ A	8-30m	22-43 mm	1.27/2.0/2.54mm	Anti-light interference, long distance
DY-1738KVXXXXXX	2.5-6.0V	50-1200 μ A	8-30m	22-43 mm	1.27/2.0/2.54mm	Power consumption strong versatility
DY-1738KBXXXXXX	2.5-6.0V	50-1200 μ A	8-30m	22-43 mm	1.27/2.0/2.54mm	Ultra-low power consumption, strong penetration
DY-1738KFXXXXXX	2.5-6.0V	50-1200 μ A	8-30m	22-43 mm	1.27/2.0/2.54mm	Strong anti-interference and long distance
DY-1738KAXXXXXX	2.5-6.0V	50-1200 μ A	8-30m	22-43 mm	1.27/2.0/2.54mm	Narrowband decoding, anti-WiFi interference
DY-1738KXXXXXX	2.5-6.0V	50-1200 μ A	8-30m	22-43 mm	1.27/2.0/2.54mm	Continuous decoding, anti-5G interference
DY-1738KCXXXXXX	2.5-6.0V	50-1200 μ A	8-30m	22-43 mm	1.27/2.0/2.54mm	Continuous decoding, strong compatibility

1838K Infrared receiver (1838K 红外接收头系列)



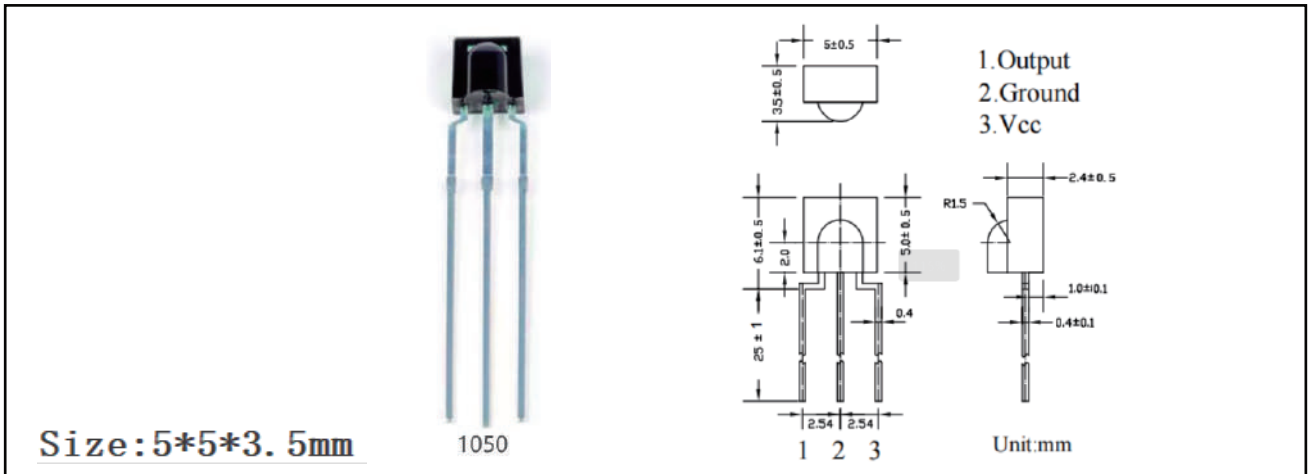
型号 (P/N)	工作电压 (Operating Voltage)	静态电流 (Quiescent Current)	接收距离 (Receiving distance)	引脚长度 (Pin length)	引脚间距 (Pin spacing)	产品特点 (Product Features)
DY-1838KWXXXXXX	2.5-6.0V	50-1200 μ A	8-30m	22-43 mm	1.27/2.0/2.54mm	Anti-light interference, long distance
DY-1838KVXXXXXX	2.5-6.0V	50-1200 μ A	8-30m	22-43 mm	1.27/2.0/2.54mm	Power consumption strong versatility
DY-1838KBXXXXXX	2.5-6.0V	50-1200 μ A	8-30m	22-43 mm	1.27/2.0/2.54mm	Ultra-low power consumption, strong penetration
DY-1838KFXXXXXX	2.5-6.0V	50-1200 μ A	8-30m	22-43 mm	1.27/2.0/2.54mm	Strong anti-interference and long distance
DY-1838KAXXXXXX	2.5-6.0V	50-1200 μ A	8-30m	22-43 mm	1.27/2.0/2.54mm	Narrowband decoding, anti-WiFi interference
DY-1838KXXXXXX	2.5-6.0V	50-1200 μ A	8-30m	22-43 mm	1.27/2.0/2.54mm	Continuous decoding, anti-5G interference
DY-1838KCXXXXXX	2.5-6.0V	50-1200 μ A	8-30m	22-43 mm	1.27/2.0/2.54mm	Continuous decoding, strong compatibility

1438 Infrared receiver (1438红外接收头系列)



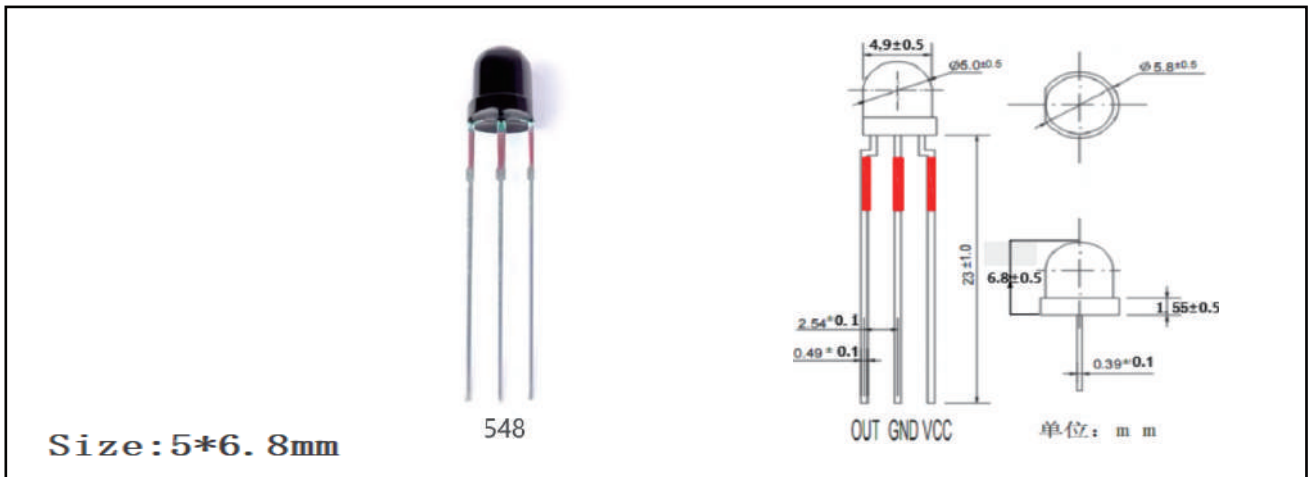
型号 (P/N)	工作电压 (Operating Voltage)	静态电流 (Quiescent Current)	接收距离 (Receiving distance)	引脚长度 (Pin length)	引脚间距 (Pin spacing)	产品特点 (Product Features)
DY-1438WXXXXXX	2.5-6.0V	50-1200 μ A	8-30m	22-43 mm	1.27/2.0/2.54mm	Anti-light interference, long distance
DY-1438VXXXXXX	2.5-6.0V	50-1200 μ A	8-30m	22-43 mm	1.27/2.0/2.54mm	Power consumption strong versatility
DY-1438BXXXXXX	2.5-6.0V	50-1200 μ A	8-30m	22-43 mm	1.27/2.0/2.54mm	Ultra-low power consumption, strong penetration
DY-1438FXXXXXX	2.5-6.0V	50-1200 μ A	8-30m	22-43 mm	1.27/2.0/2.54mm	Strong anti-interference and long distance
DY-1438AXXXXXX	2.5-6.0V	50-1200 μ A	8-30m	22-43 mm	1.27/2.0/2.54mm	Narrowband decoding, anti-WiFi interference
DY-1438XXXXXXX	2.5-6.0V	50-1200 μ A	8-30m	22-43 mm	1.27/2.0/2.54mm	Continuous decoding, anti-5G interference
DY-1438CXXXXXX	2.5-6.0V	50-1200 μ A	8-30m	22-43 mm	1.27/2.0/2.54mm	Continuous decoding, strong compatibility

1050 Infrared receiver (1050红外接收头系列)



型号 (P/N)	工作电压 (Operating Voltage)	静态电流 (Quiescent Current)	接收距离 (Receiving distance)	引脚长度 (Pin length)	引脚间距 (Pin spacing)	产品特点 (Product Features)
DY-1050WXXXXXX	2.5-6.0V	50-1200 μ A	8-30m	22-43 mm	1.27/2.0/2.54mm	Anti-light interference, long distance
DY-1050VXXXXXX	2.5-6.0V	50-1200 μ A	8-30m	22-43 mm	1.27/2.0/2.54mm	Power consumption strong versatility
DY-1050BXXXXXX	2.5-6.0V	50-1200 μ A	8-30m	22-43 mm	1.27/2.0/2.54mm	Ultra-low power consumption, strong penetration
DY-1050FXXXXXX	2.5-6.0V	50-1200 μ A	8-30m	22-43 mm	1.27/2.0/2.54mm	Strong anti-interference and long distance
DY-1050AXXXXXX	2.5-6.0V	50-1200 μ A	8-30m	22-43 mm	1.27/2.0/2.54mm	Narrowband decoding, anti-WiFi interference
DY-1050XXXXXX	2.5-6.0V	50-1200 μ A	8-30m	22-43 mm	1.27/2.0/2.54mm	Continuous decoding, anti-5G interference
DY-1050CXXXXXX	2.5-6.0V	50-1200 μ A	8-30m	22-43 mm	1.27/2.0/2.54mm	Continuous decoding, strong compatibility

548 Infrared receiver (548红外接收头系列)

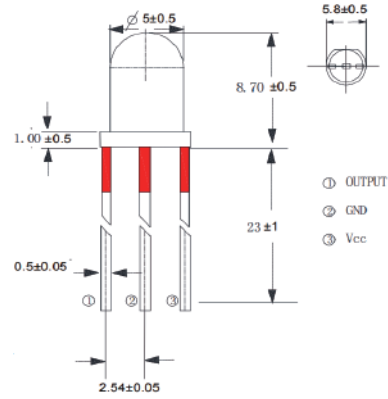


型号 (P/N)	工作电压 (Operating Voltage)	静态电流 (Quiescent Current)	接收距离 (Receiving distance)	引脚长度 (Pin length)	引脚间距 (Pin spacing)	产品特点 (Product Features)
DY-548WXXXXXX	2.5-6.0V	50-1200 μ A	8-30m	22-43 mm	1.27/2.0/2.54mm	Anti-light interference, long distance
DY-548VXXXXXX	2.5-6.0V	50-1200 μ A	8-30m	22-43 mm	1.27/2.0/2.54mm	Power consumption strong versatility
DY-548BXXXXXX	2.5-6.0V	50-1200 μ A	8-30m	22-43 mm	1.27/2.0/2.54mm	Ultra-low power consumption, strong penetration
DY-548FXXXXXX	2.5-6.0V	50-1200 μ A	8-30m	22-43 mm	1.27/2.0/2.54mm	Strong anti-interference and long distance
DY-548AXXXXXX	2.5-6.0V	50-1200 μ A	8-30m	22-43 mm	1.27/2.0/2.54mm	Narrowband decoding, anti-WiFi interference
DY-548XXXXXX	2.5-6.0V	50-1200 μ A	8-30m	22-43 mm	1.27/2.0/2.54mm	Continuous decoding, anti-5G interference
DY-548CXXXXXX	2.5-6.0V	50-1200 μ A	8-30m	22-43 mm	1.27/2.0/2.54mm	Continuous decoding, strong compatibility

538 Infrared receiver (538红外接收头系列)



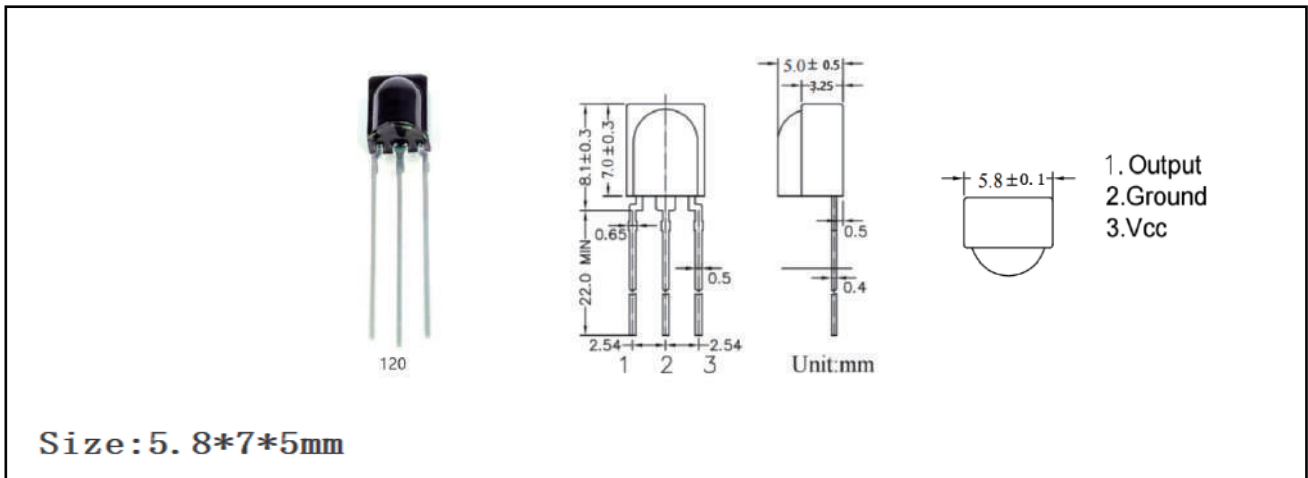
538



Size: 5*8.7mm

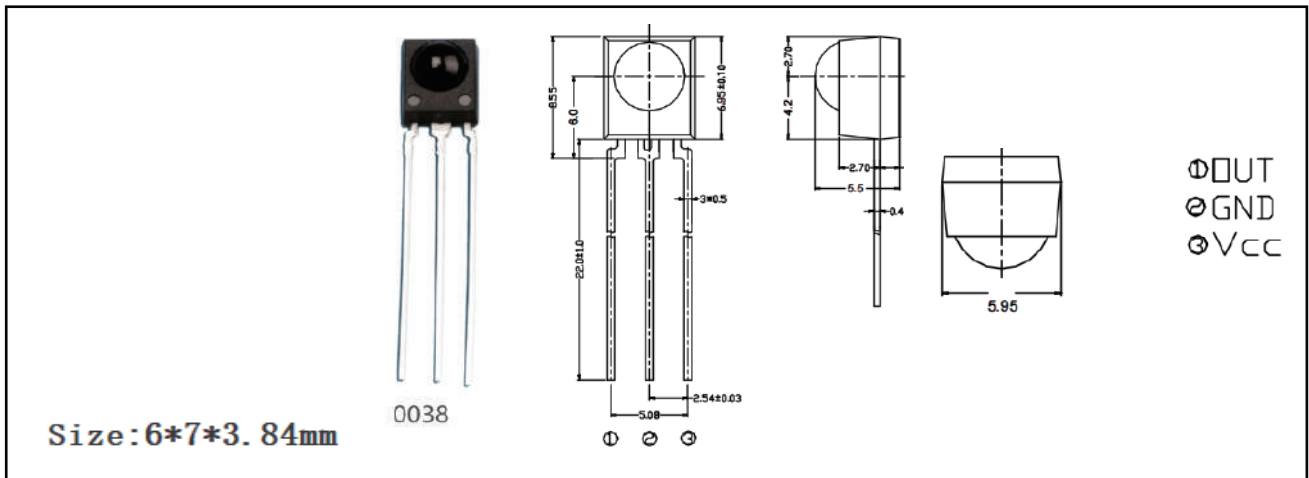
型号 (P/N)	工作电压 (Operating Voltage)	静态电流 (Quiescent Current)	接收距离 (Receiving distance)	引脚长度 (Pin length)	引脚间距 (Pin spacing)	产品特点 (Product Features)
DY-538WXXXXXX	2.5-6.0V	50-1200 μ A	8-30m	22-43 mm	1.27/2.0/2.54mm	Anti-light interference, long distance
DY-538VXXXXXX	2.5-6.0V	50-1200 μ A	8-30m	22-43 mm	1.27/2.0/2.54mm	Power consumption strong versatility
DY-538BXXXXXX	2.5-6.0V	50-1200 μ A	8-30m	22-43 mm	1.27/2.0/2.54mm	Ultra-low power consumption, strong penetration
DY-538FXXXXXX	2.5-6.0V	50-1200 μ A	8-30m	22-43 mm	1.27/2.0/2.54mm	Strong anti-interference and long distance
DY-538AXXXXXX	2.5-6.0V	50-1200 μ A	8-30m	22-43 mm	1.27/2.0/2.54mm	Narrowband decoding, anti-WiFi interference
DY-538XXXXXXX	2.5-6.0V	50-1200 μ A	8-30m	22-43 mm	1.27/2.0/2.54mm	Continuous decoding, anti-5G interference
DY-538CXXXXXX	2.5-6.0V	50-1200 μ A	8-30m	22-43 mm	1.27/2.0/2.54mm	Continuous decoding, strong compatibility

120 Infrared receiver (120 红外接收头系列)



型号 (P/N)	工作电压 (Operating Voltage)	静态电流 (Quiescent Current)	接收距离 (Receiving distance)	引脚长度 (Pin length)	引脚间距 (Pin spacing)	产品特点 (Product Features)
DY-120WXXXXXX	2.5-6.0V	50-1200 μ A	8-30m	22-43 mm	1.27/2.0/2.54mm	Anti-light interference, long distance
DY-120VXXXXXX	2.5-6.0V	50-1200 μ A	8-30m	22-43 mm	1.27/2.0/2.54mm	Power consumption strong versatility
DY-120BXXXXXX	2.5-6.0V	50-1200 μ A	8-30m	22-43 mm	1.27/2.0/2.54mm	Ultra-low power consumption, strong penetration
DY-120FXXXXXX	2.5-6.0V	50-1200 μ A	8-30m	22-43 mm	1.27/2.0/2.54mm	Strong anti-interference and long distance
DY-120AXXXXXX	2.5-6.0V	50-1200 μ A	8-30m	22-43 mm	1.27/2.0/2.54mm	Narrowband decoding, anti-WiFi interference
DY-120XXXXXX	2.5-6.0V	50-1200 μ A	8-30m	22-43 mm	1.27/2.0/2.54mm	Continuous decoding, anti-5G interference
DY-120CXXXXXX	2.5-6.0V	50-1200 μ A	8-30m	22-43 mm	1.27/2.0/2.54mm	Continuous decoding, strong compatibility

0038 Infrared receiver (0038 红外接收头系列)



型号 (P/N)	工作电压 (Operating Voltage)	静态电流 (Quiescent Current)	接收距离 (Receiving distance)	引脚长度 (Pin length)	引脚间距 (Pin spacing)	产品特点 (Product Features)
DY-0038WXXXXXX	2.5-6.0V	50-1200 μ A	8-30m	22-43 mm	1.27/2.0/2.54mm	Anti-light interference, long distance
DY-0038VXXXXXX	2.5-6.0V	50-1200 μ A	8-30m	22-43 mm	1.27/2.0/2.54mm	Power consumption strong versatility
DY-0038BXXXXXX	2.5-6.0V	50-1200 μ A	8-30m	22-43 mm	1.27/2.0/2.54mm	Ultra-low power consumption, strong penetration
DY-0038FXXXXXX	2.5-6.0V	50-1200 μ A	8-30m	22-43 mm	1.27/2.0/2.54mm	Strong anti-interference and long distance
DY-0038AXXXXXX	2.5-6.0V	50-1200 μ A	8-30m	22-43 mm	1.27/2.0/2.54mm	Narrowband decoding, anti-WiFi interference
DY-0038XXXXXXX	2.5-6.0V	50-1200 μ A	8-30m	22-43 mm	1.27/2.0/2.54mm	Continuous decoding, anti-5G interference
DY-0038CXXXXXX	2.5-6.0V	50-1200 μ A	8-30m	22-43 mm	1.27/2.0/2.54mm	Continuous decoding, strong compatibility

Applications



Internet Set-Top Box



LCD TV



Lighting



Smart Home



Smart Meter



Electric fan